

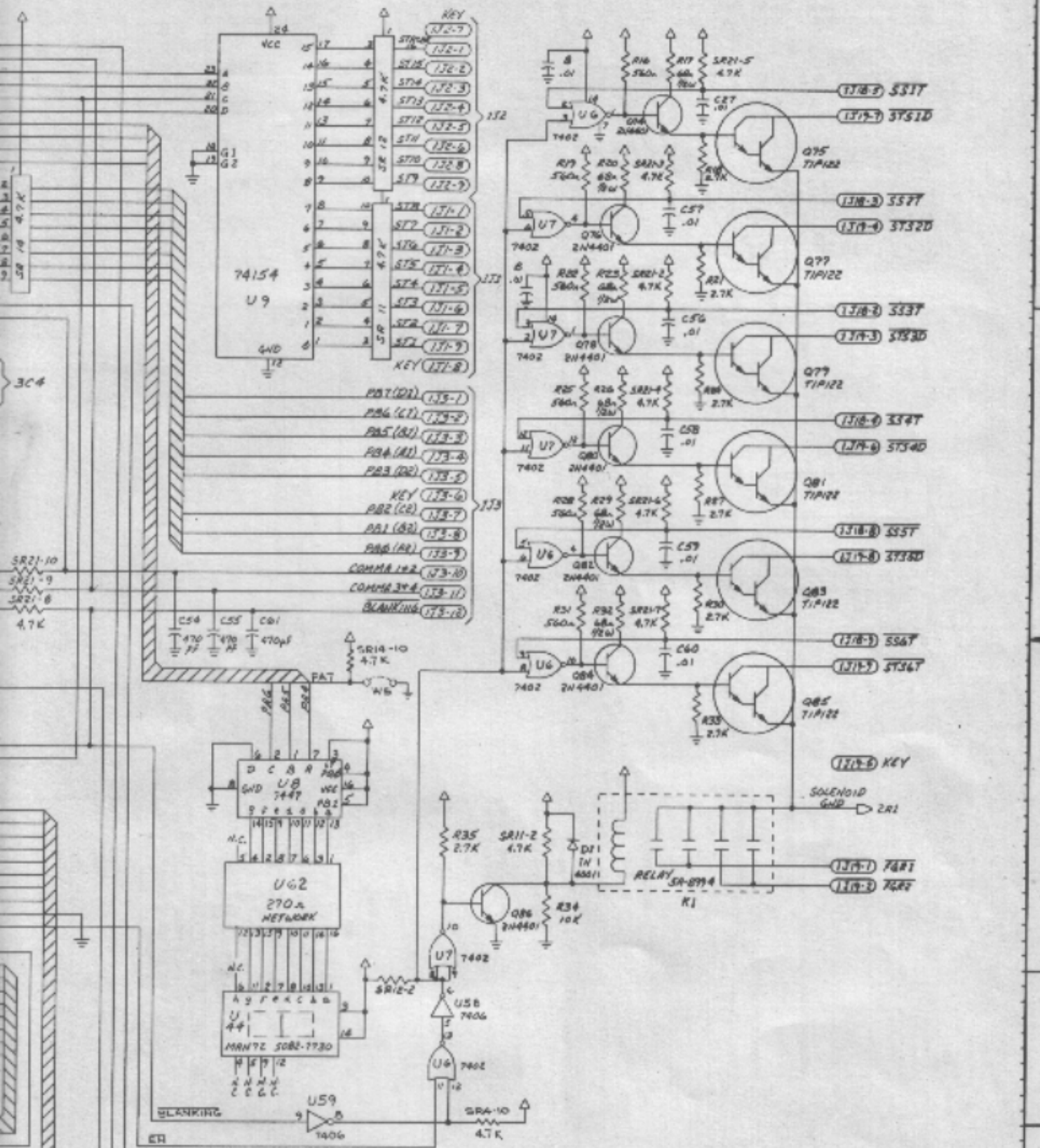
NOTES:

1. FOR SCHEMATIC, REFER TO DRAWING NO. 16-8923.

CHART

NAME OF GAME	ASSY. NO.	ITEM 3	ITEM 4	ITEM 5	ITEM 6	QUANTITIES ORDERED	W/12
STAR-10	D-10336A	5243-A-5343-10760	10760	10760	10760	16-8850	W12

10						
9						
8						
7						
6						



ITEM	PART NUMBER	DESCRIPTION	QTY	ITEM	PART NUMBER	DESCRIPTION	QTY
PHYS. DIMS. & APPROX. WEIGHT	DO NOT SCALE WORK TO DIMENSIONS SHOWN	REMOVE BURRS - BREAK SHARP EDGES		WILLIAMS ELECTRONICS, INC.			
DOWN BY DATE	FIRST PROJECT NO. 530	TOLERANCES UNLESS OTHERWISE SPECIFIED		3401N CALIFORNIA AVE CHICAGO IL 60615			
CHECKED BY DATE	FIRST USAGE DATE 1-10-64	FRACTIONAL .1254 ANGULAR .1°		NAME SCHEMATIC, CPU SYS 9			
APPROVAL DATE 9-8-64	QTY -	DECIMAL .1005 FILLETS .020 MAX		SCALE 1/4" = 1"	PART NO. 16-8923	REV	

16-8923

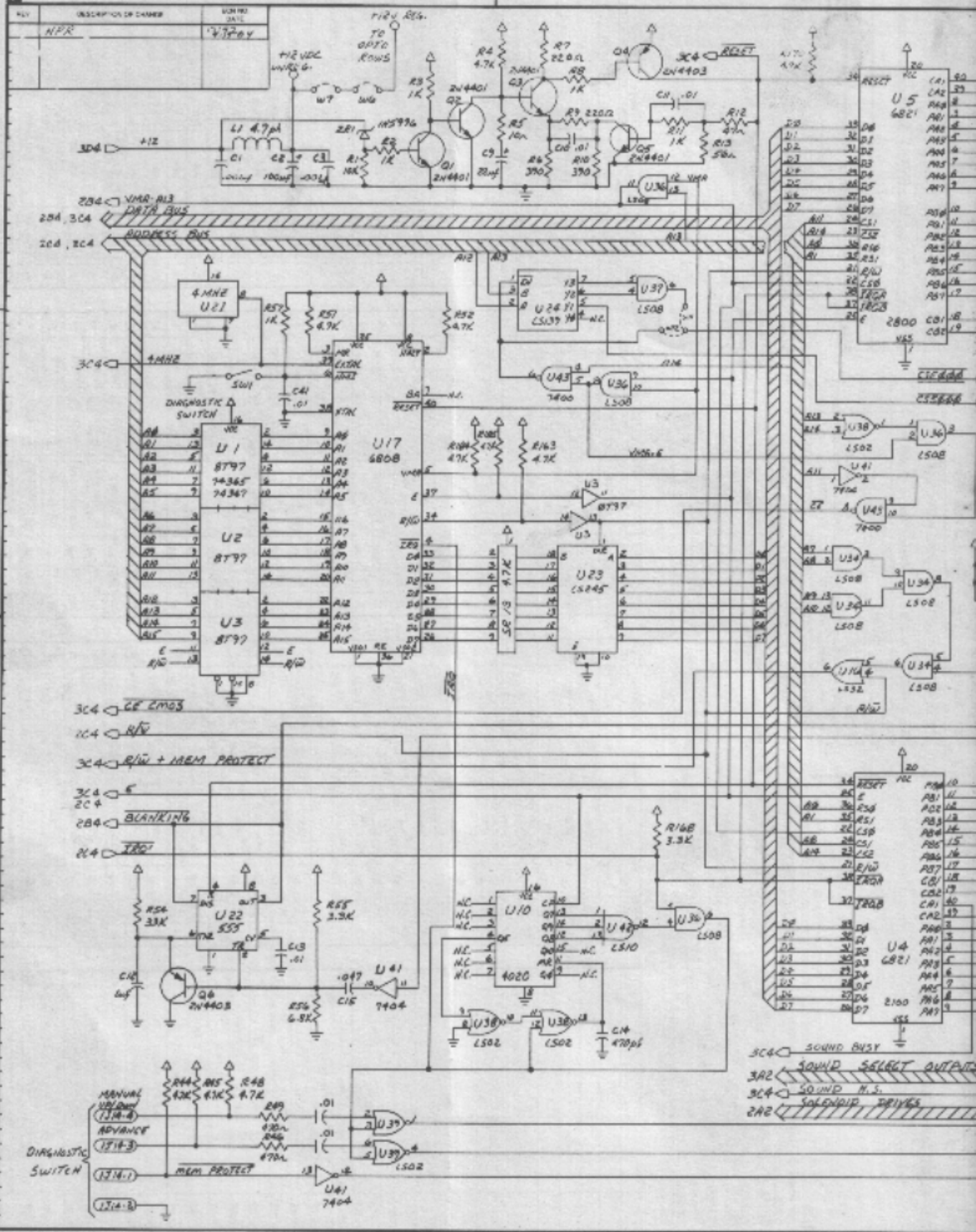
REV	DESCRIPTION OF CHANGE	ISSUE DATE
1	NFR	12/22/84

D

C

B

A



- 3C4 ← CE CMOS
- 1C4 ← R/W
- 3C4 ← R/W + MEM PROTECT
- 3C4 ← E
- 2C4 ← BLANKING
- 2C4 ← TRG

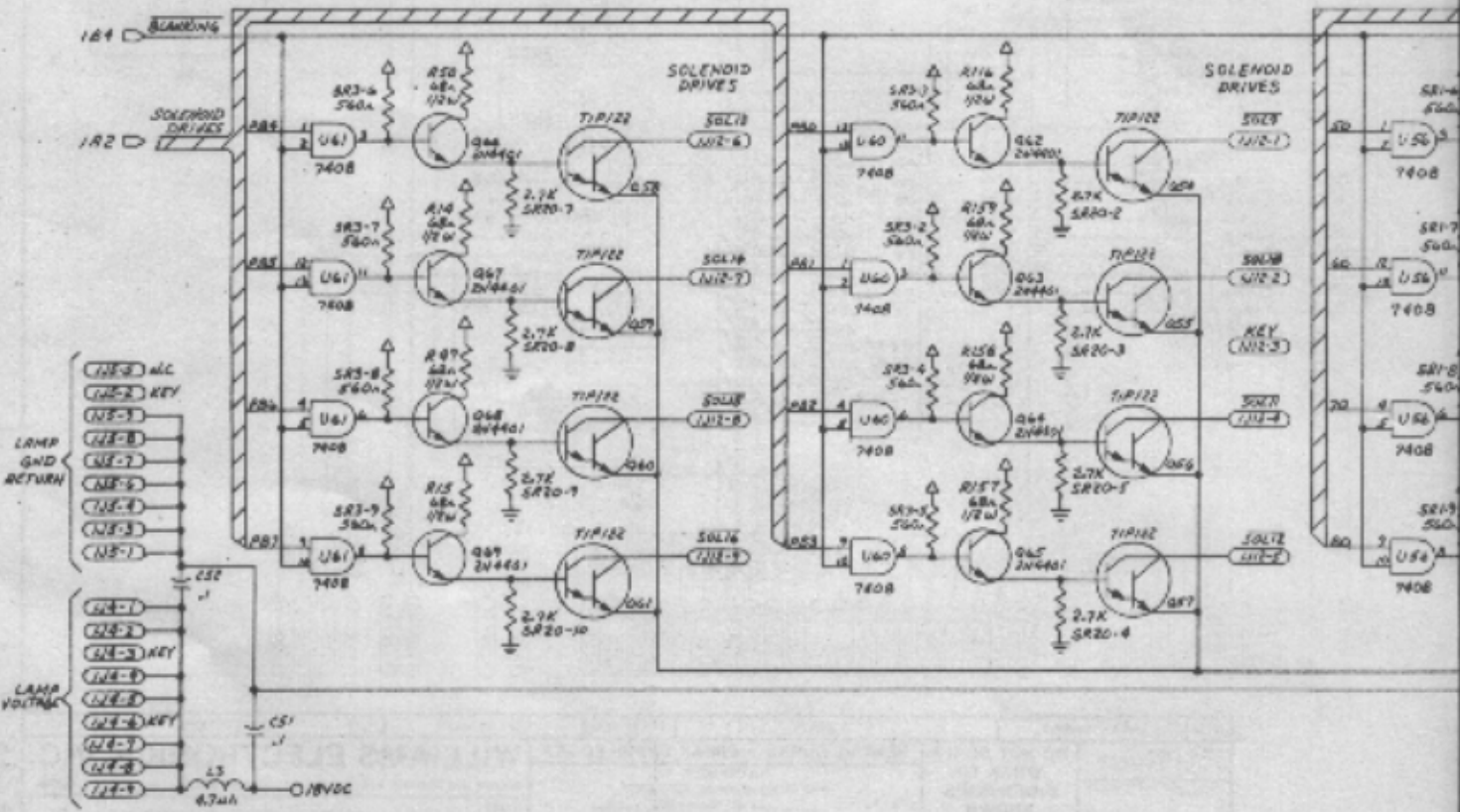
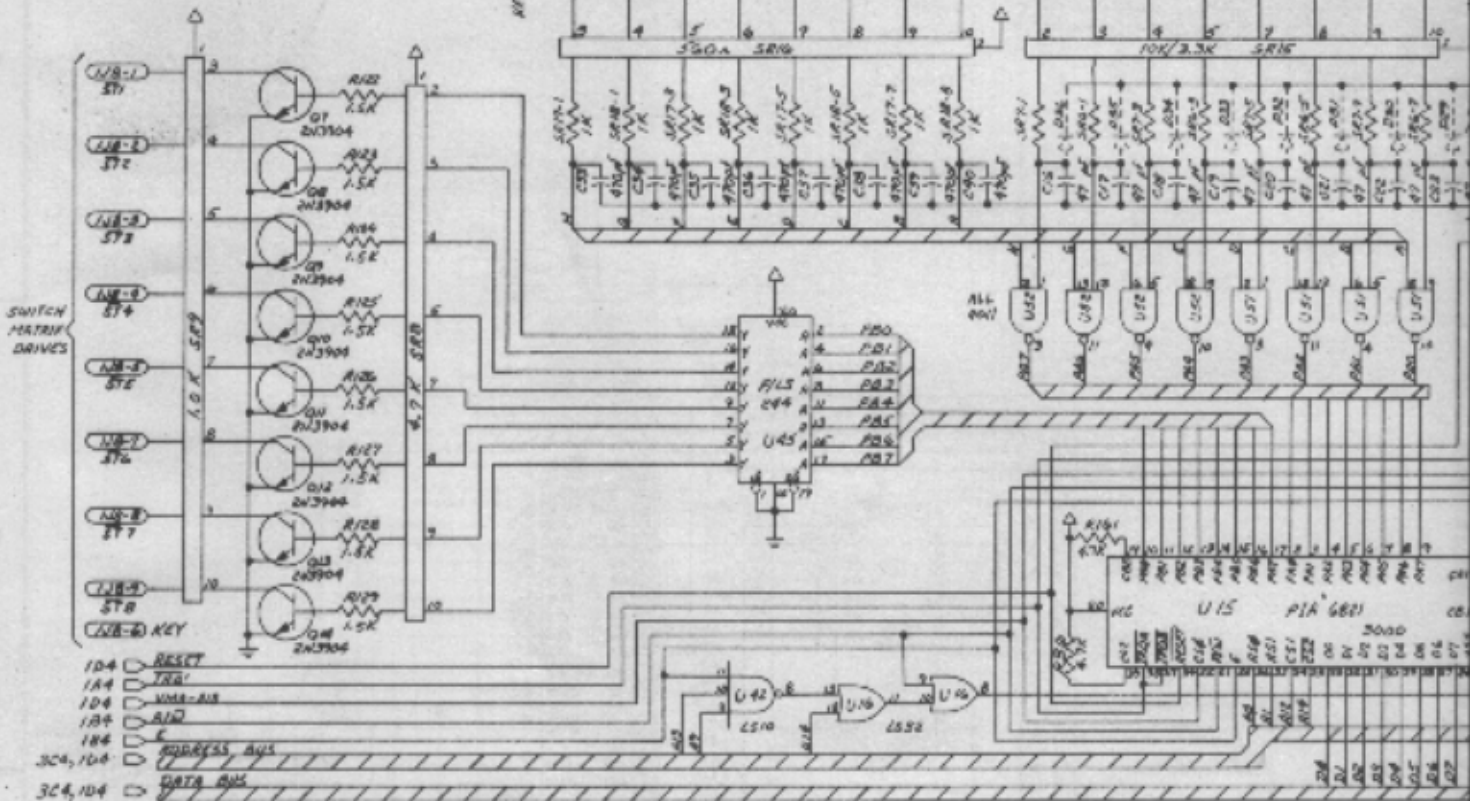
- 3C4 ← SOUND BUST
- 3A2 ← SOUND SELECT OUTPUTS
- 3C4 ← SOUND M.S.
- 2A2 ← SOLENOID DRIVES

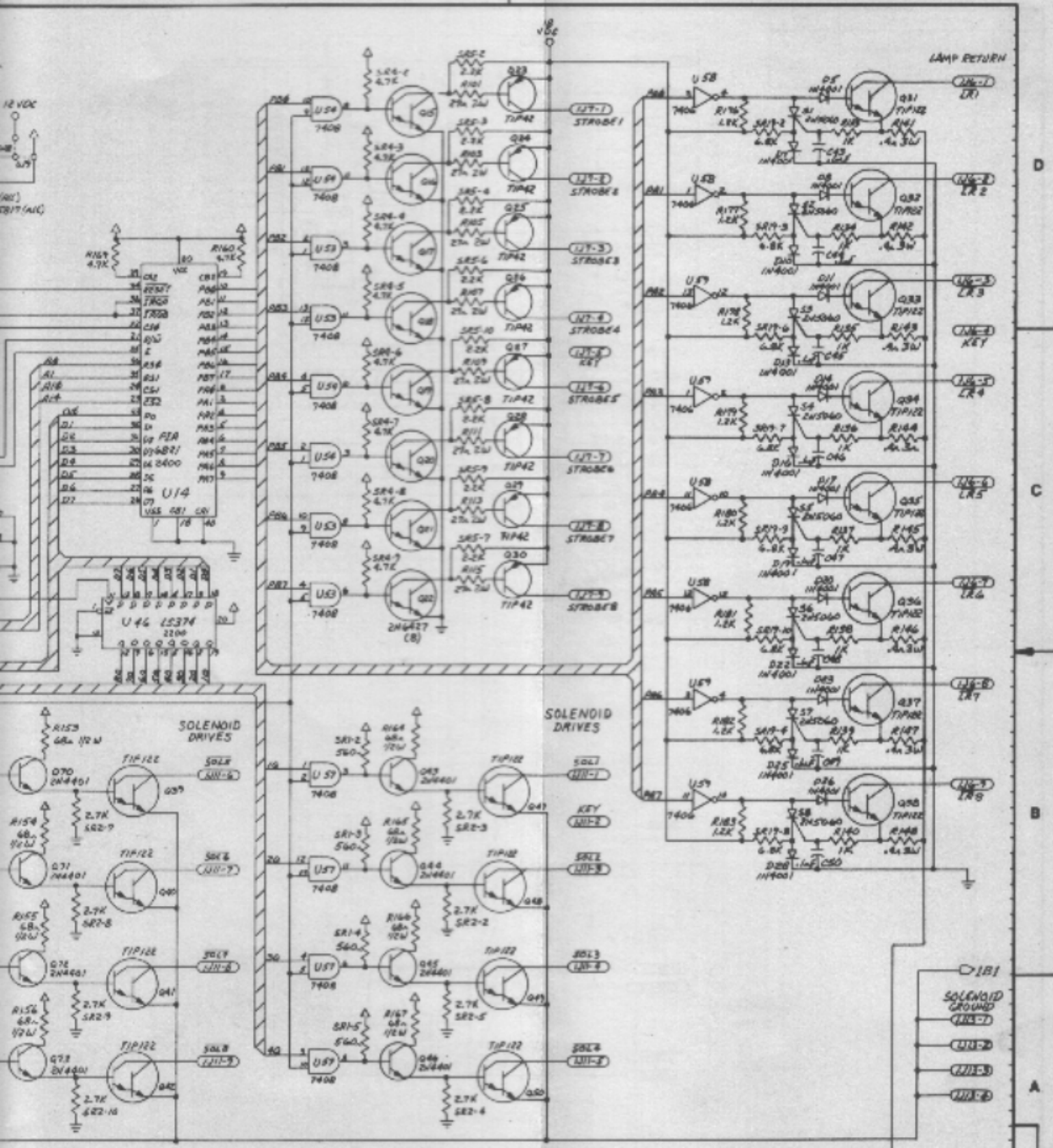
REV	DESCRIPTION OF CHANGE	DATE
1/PP		12/2/82

MECHANICAL

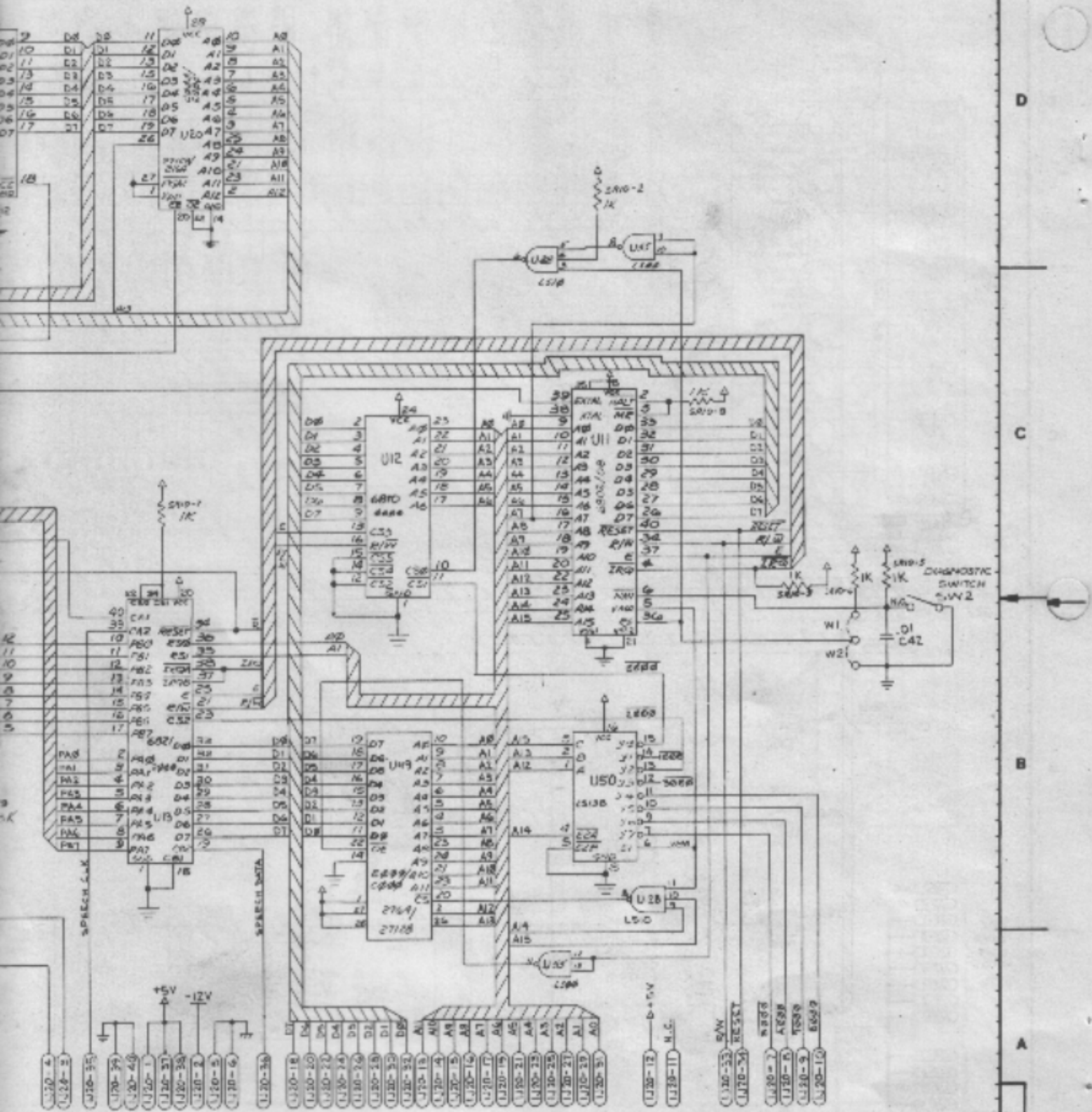
SWITCH MATRIX INPUTS

OPTICS





ITEM	PART NUMBER	DESCRIPTION	QTY	ITEM	PART NUMBER	DESCRIPTION	QTY
PROJ ENGR S. WICKSCHER		DO NOT SCALE WORK TO DIMENSIONS SHOWN		REMOVE BURRS - BREAK SHARP EDGES		WILLIAMS ELECTRONICS, INC.	
DRAWN BY J. K. W. 10/15/64		FIRST PROJECT NO 530		TOLERANCES UNLESS OTHERWISE SPECIFIED		3401 N. CALIFORNIA AVE. CHICAGO IL 60618	
CHECKED BY S.C.H. 10/15/64		MATERIAL		FRACTIONAL 1/64 ANGULAR		NAME SCHEMATIC, CPU 515 9	
APPROVAL R.W. 10-15-64		DATE 10-15-64		DECIMAL 1.005 FILETS .020 MAX		SCHEMATIC, CPU 515 9	
		DATE 10-15-64		MATERIAL		PART NO 16-8923	
		DATE 10-15-64		MATERIAL		REV	



ITEM	PART NUMBER	DESCRIPTION	QTY	ITEM	PART NUMBER	DESCRIPTION	QTY
PROJ. ENGR S. WERSCHLER		DO NOT SCALE WORK TO DIMENSIONS SHOWN		REMOVE BURRS - BREAK SHARP EDGES		WILLIAMS ELECTRONICS, INC. 340-N CALIFORNIA AVE CHICAGO 8 60608	
DWN BY DATE 1/20/74		TOLERANCES UNLESS OTHERWISE SPECIFIED FRACTIONAL .0154 ANGULAR .1°		NAME SCHEMATIC, CPU SYSTEM-9		SCALE 1/8" = 1"	
CHECKED BY DATE 1/20/74		DECIMAL .005 FLETS .02" MAX		MATERIAL		PART NO 16-8923	
APPROVAL DATE 1/20/74		FIRST USAGE 0.10524		QTY 1		REV 1	

D

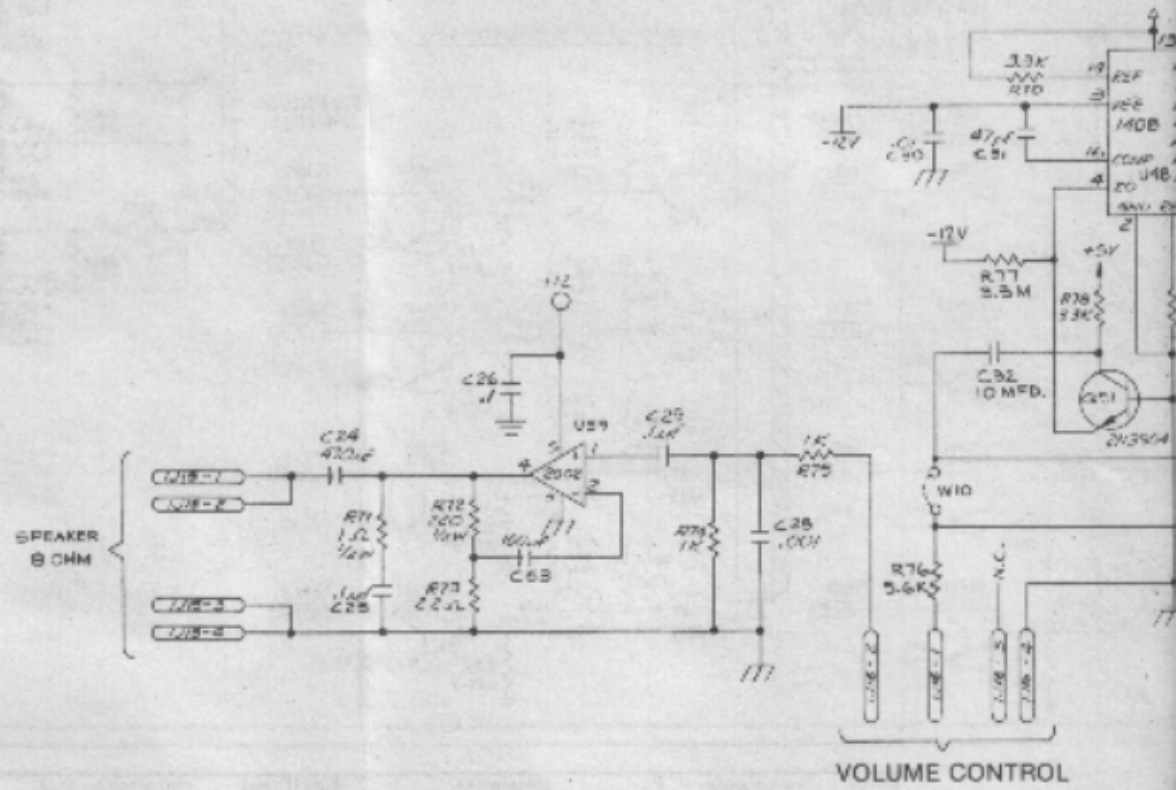
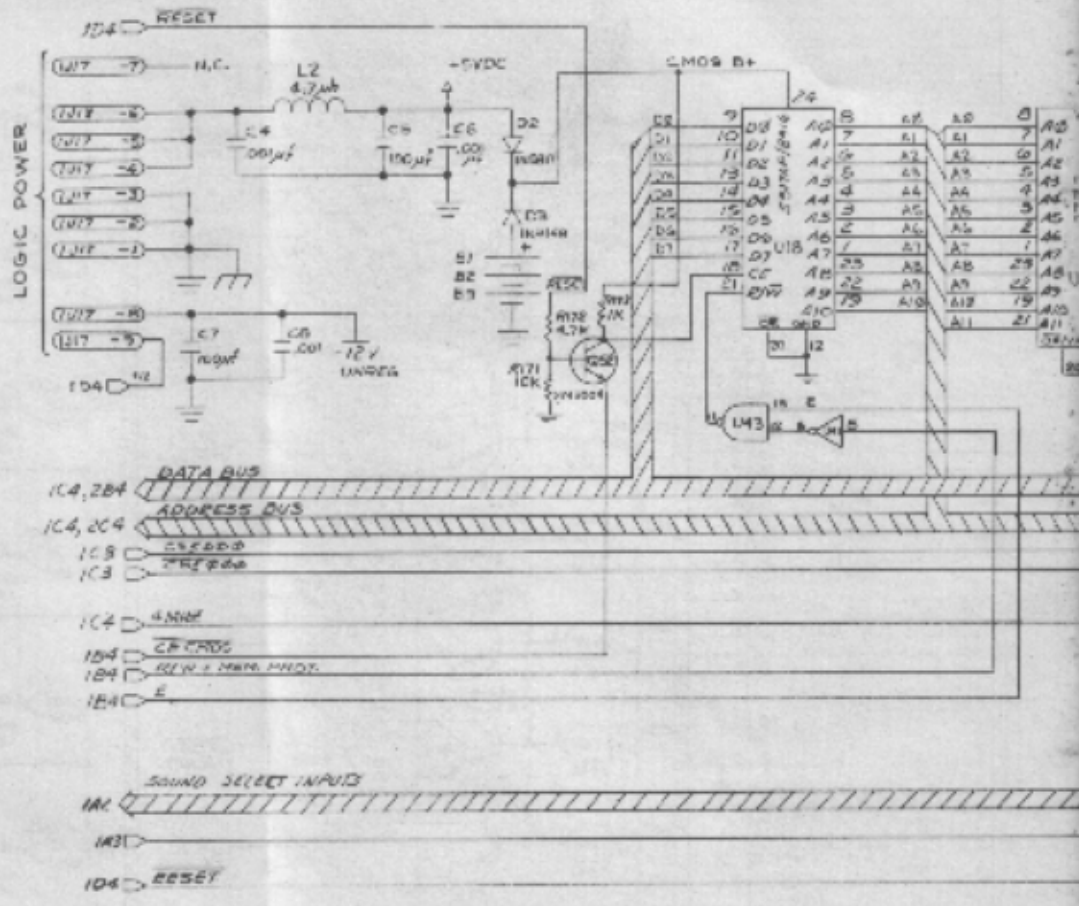
C

B

A

16-8923

REV	DESCRIPTION OF CHANGE	DATE
1	NPR	11, 1977
		4. 17. 81



VOLUME CONTROL